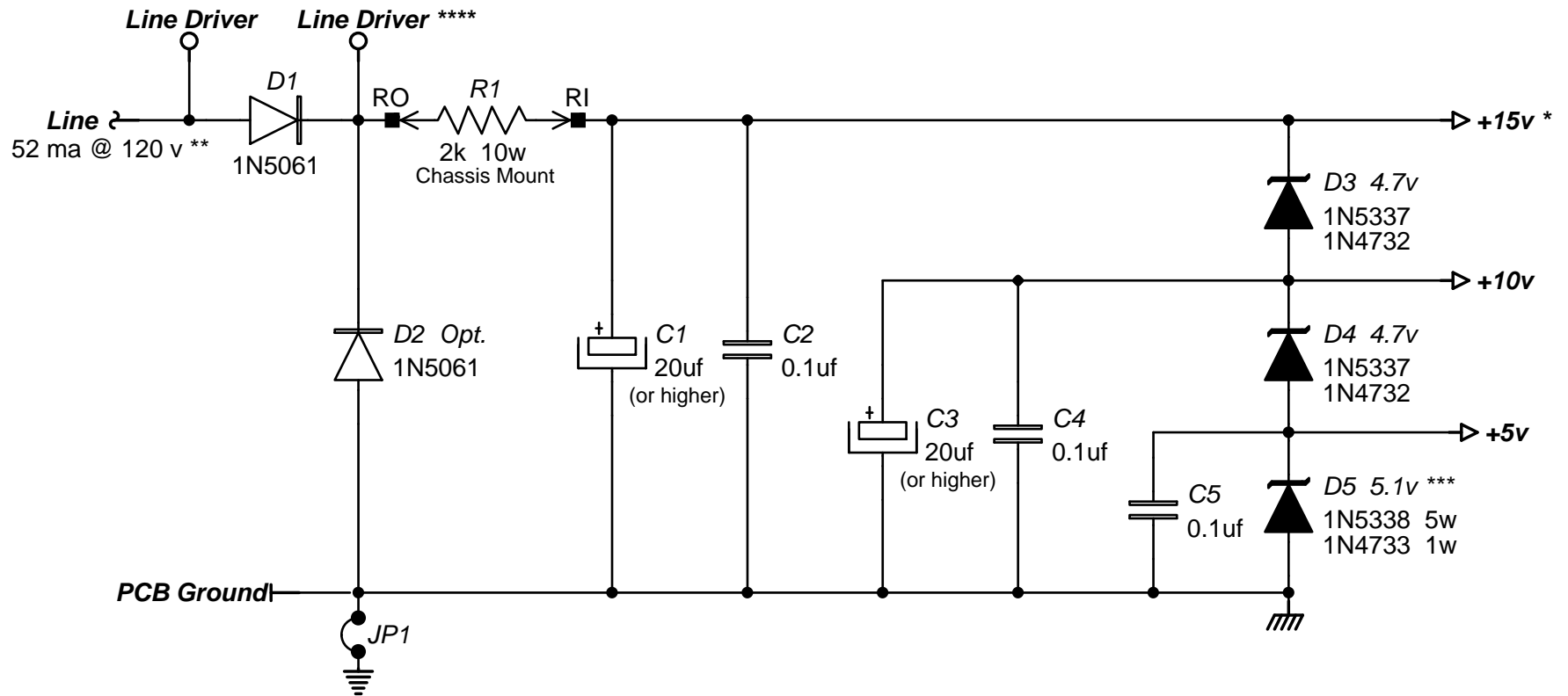


106 RADIATION TOOL TEMP. COMPENSATED LOW VOLTAGE POWER SUPPLY

Three Zener Version



Copyright 2008 by AnaLog Services, Inc. All rights reserved.
 Reproduction is unlawful without express written permission.

NOTES:

- * Voltage regulation better than .004% per degree C to 200 C.
- ** Approximately 60 ma @ 120 v with logging CCL amplifier.
- *** Mix and match 4.7 and 5.1 volt zeners to tailor tempco.
- **** Input negative pulses only at this port.

AnaLog Services, Inc.

1169 Haynesville Road - Reynolds Station, KY 42368 (270) 276-5671 Fax: (270) 276-5588

106 LV Power Supply 2 106LVPS2.sch

Sheet Size: A Creation Date: 06/02/2008 Drawn By: Syd H. Levine

Revision: 1.0 Modify Date: 01/21/2010 Sheet 1 of 1