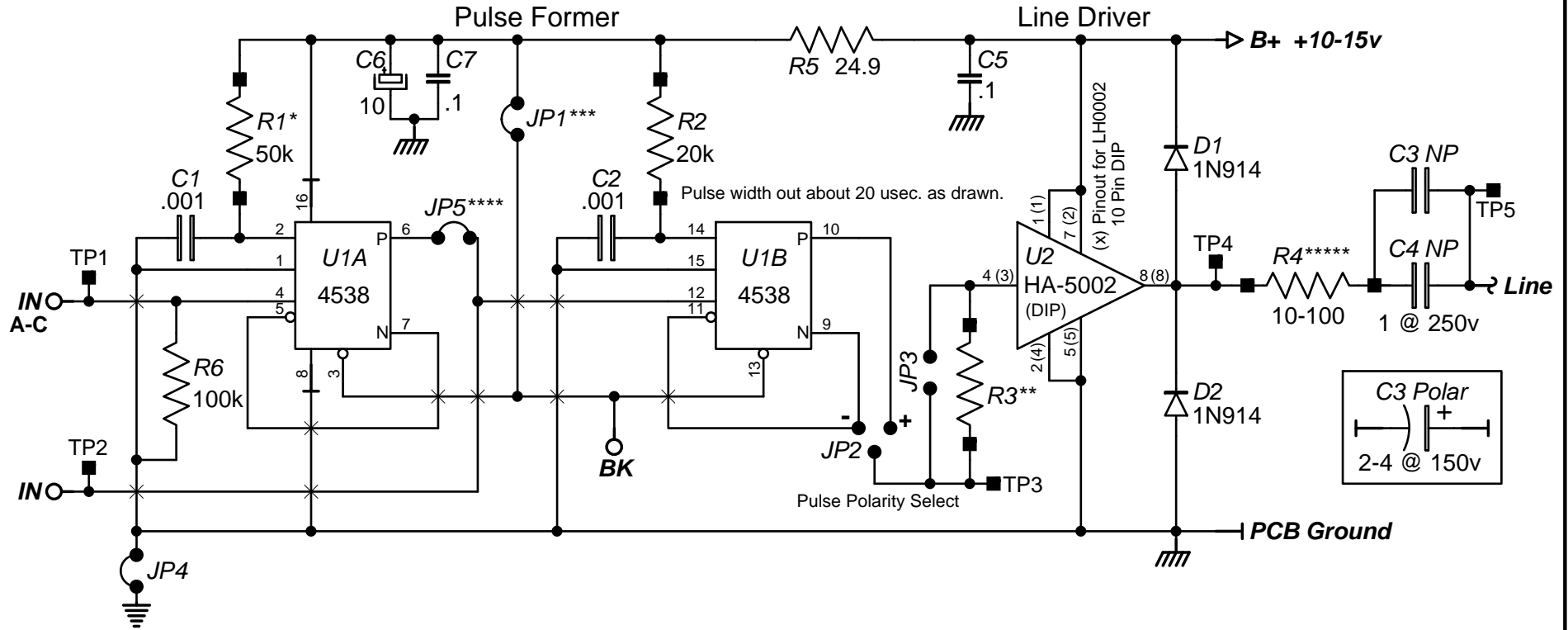


# 106 RADIATION TOOL PULSE FORMER / LINE DRIVER

Single Channel (Anti-Collision Protected) - Bond Kill Ready (106BK2)



## NOTES:

- \* R1 sets anti-collision pulse width; shown with initial trial value.
- \*\* R3 sets output pulse height (100 ohm to 10 kilohm trial value).
- \*\*\* If bond kill is used, cut jumper at JP1 ("clear" inputs to B+).
- \*\*\*\* Cut JP5 and use non-AC input if anti-collision not desired.
- \*\*\*\*\* R4 required for simultaneous bond logging; 10 ohms minimum.

Copyright 2008 by AnaLog Services, Inc. All rights reserved.  
Reproduction is unlawful without express written permission.

## AnaLog Services, Inc.

1169 Haynesville Road - Reynolds Station, KY 42368 (270) 276-5671 Fax: (270) 276-5588

106 Line Driver

106LD5.sch

Sheet Size: A

Creation Date: 07/25/2008

Drawn By: Syd H. Levine

Revision: 1.0

Modify Date: 02/11/2010

Sheet 1 of 1