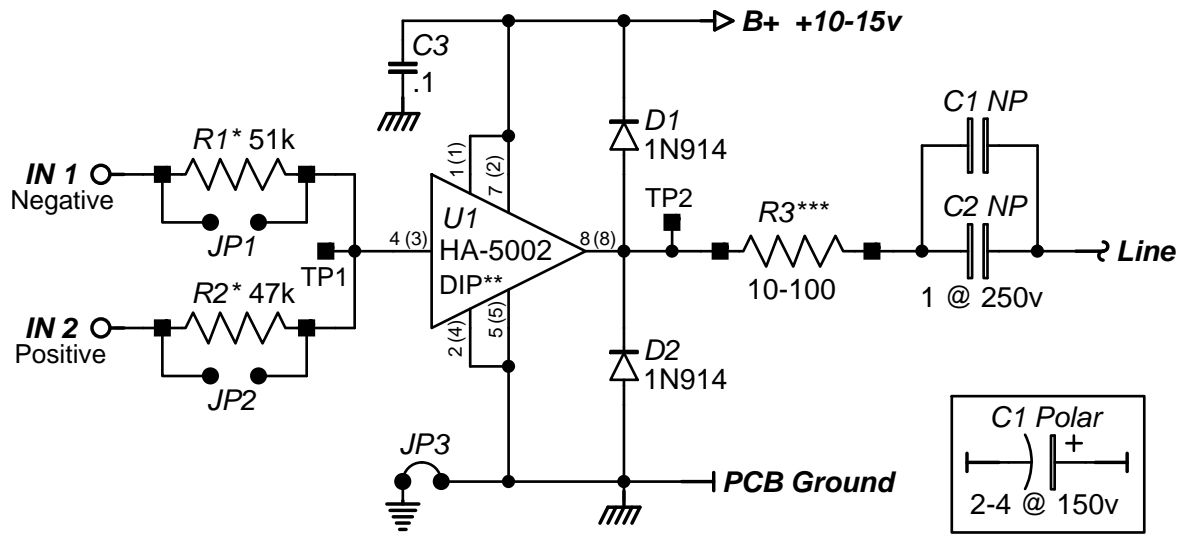


106 RADIATION TOOL LINE DRIVER



Copyright 2007 by AnaLog Services, Inc. All rights reserved.
 Reproduction is unlawful without express written permission.

NOTES:
 * Select R1 and R2 for pulse height adjustment.
 ** (x) Pinout for LH0002 10 pin DIP device.
 *** R3 required for simultaneous bond logging; 10 ohms minimum.

AnaLog Services, Inc.		
1169 Haynesville Road - Reynolds Station, KY 42368 (270) 276-5671 Fax: (270) 276-5588		
106 Line Driver		106LD4.sch
Sheet Size: A	Creation Date: 12/12/2007	Drawn By: Syd H. Levine
Revision: 1.0	Modify Date: 02/11/2010	Sheet 1 of 1

A
B
C
D
E
F
G
H