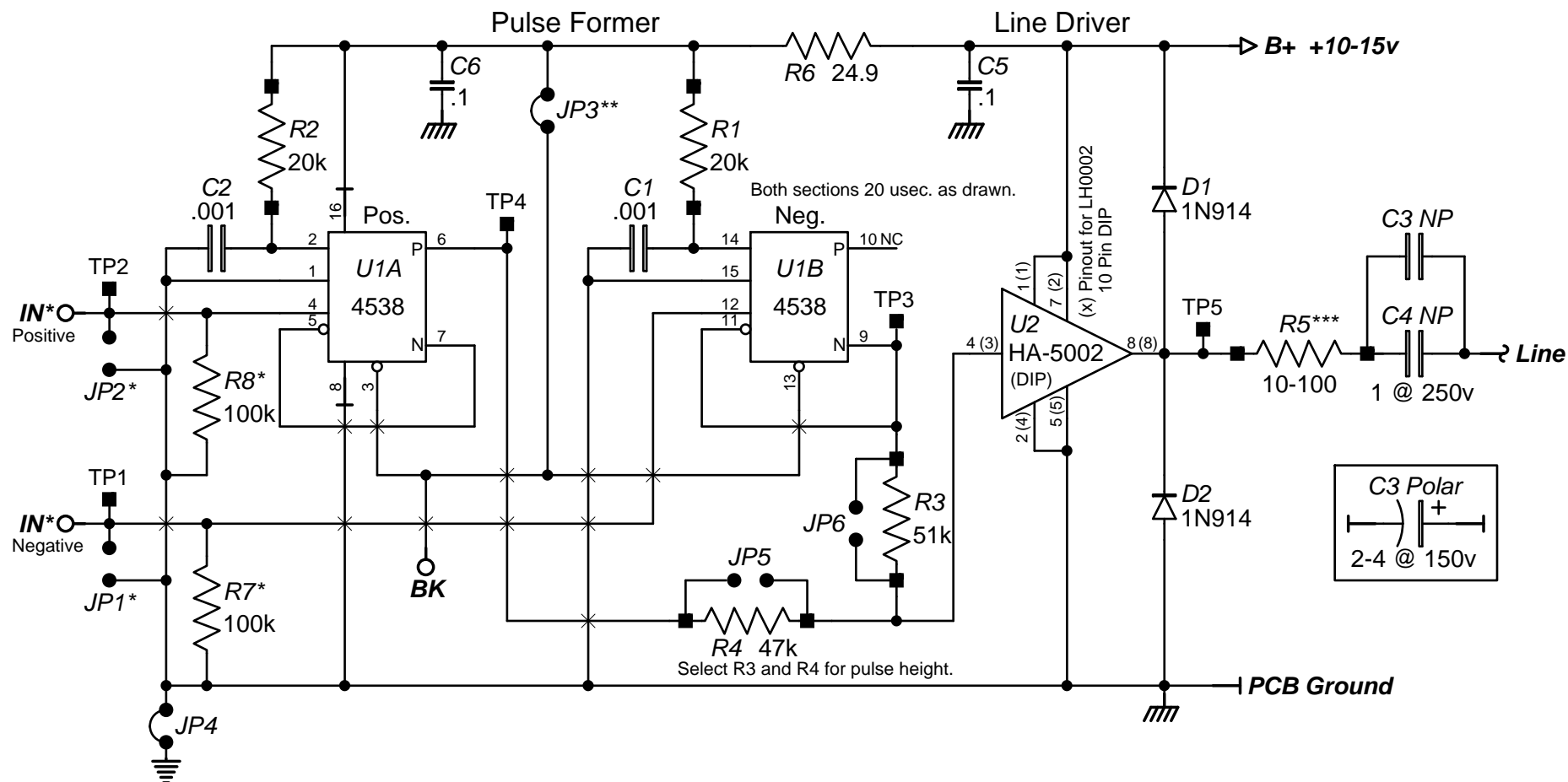


106 RADIATION TOOL PULSE FORMER / LINE DRIVER

Dual Channel - Bond Kill Ready (106BK2)



Copyright 2007 by AnaLog Services, Inc. All rights reserved. Reproduction is unlawful without express written permission.

NOTES:

- * Ground any unused pulse input by installing jumper JP1 or JP2. JP1 and JP2 may be ignored / omitted if R7 and R8 are used.
- ** If bond kill is used, cut jumper at JP3 ("clear" inputs to B+).
- *** R5 required for simultaneous bond logging; 10 ohms minimum.

AnaLog Services, Inc.

1169 Haynesville Road - Reynolds Station, KY 42368 (270) 276-5671 Fax: (270) 276-5588

106 Line Driver

106LD3.sch

Sheet Size: A

Creation Date: 08/26/2007

Drawn By: Syd H. Levine

Revision: 1.0

Modify Date: 02/11/2010

Sheet 1 of 1