

A

106 RADIATION TOOL SMALL GO STYLE DOWNHOLE CCL AMPLIFIER

B

C

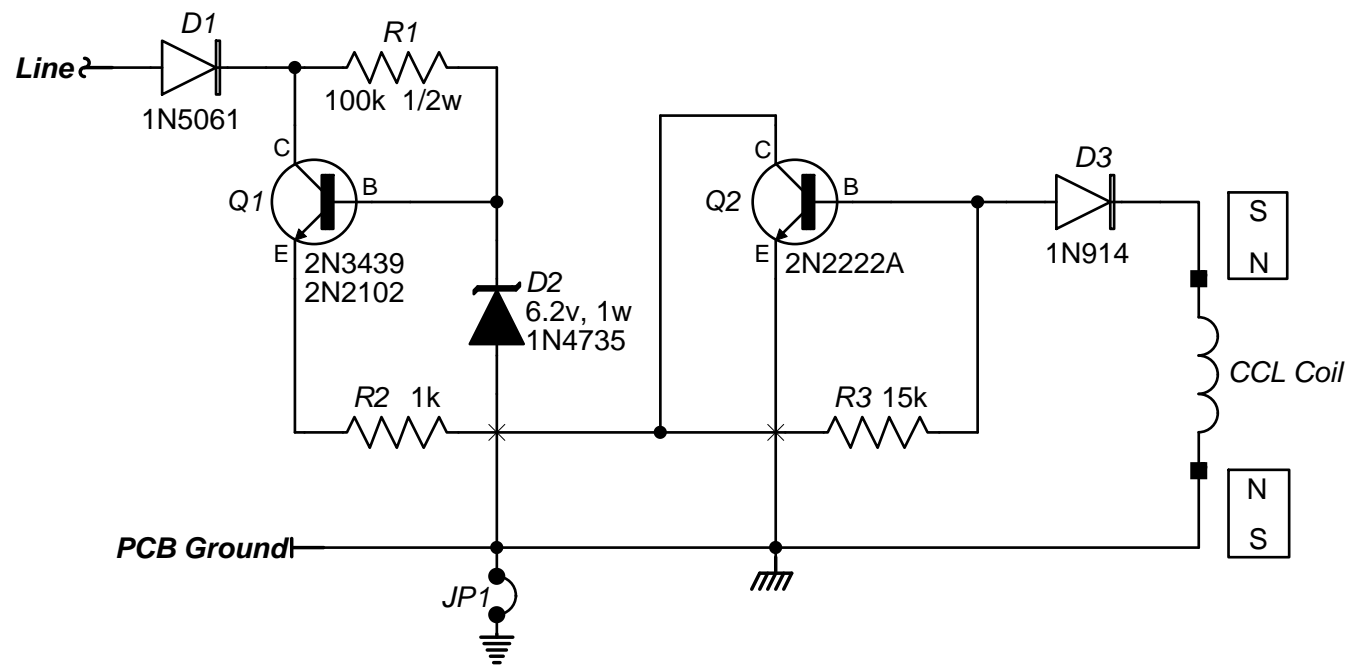
D

E

F

G

H



Copyright 2009 by AnaLog Services, Inc. All rights reserved. Reproduction is unlawful without express written permission.

NOTES:
 This circuit typically draws about 5 milliamps at 120 volts.
 Use the 2N3439 for a more "bullet proof" circuit.
 Coil resistances are in the range of 2-5 kilohms.
 This circuit ideal for limited space applications.

AnaLog Services, Inc.

1169 Haynesville Road - Reynolds Station, KY 42368 (270) 276-5671 Fax: (270) 276-5588

| | | |
|------------------------|---------------------------|-------------------------|
| Small Downhole CCL Amp | | 106CCL3.sch |
| Sheet Size: A | Creation Date: 03/11/2009 | Drawn By: Syd H. Levine |
| Revision: 1.0 | Modify Date: 01/19/2010 | Sheet 1 of 1 |