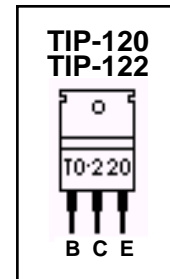
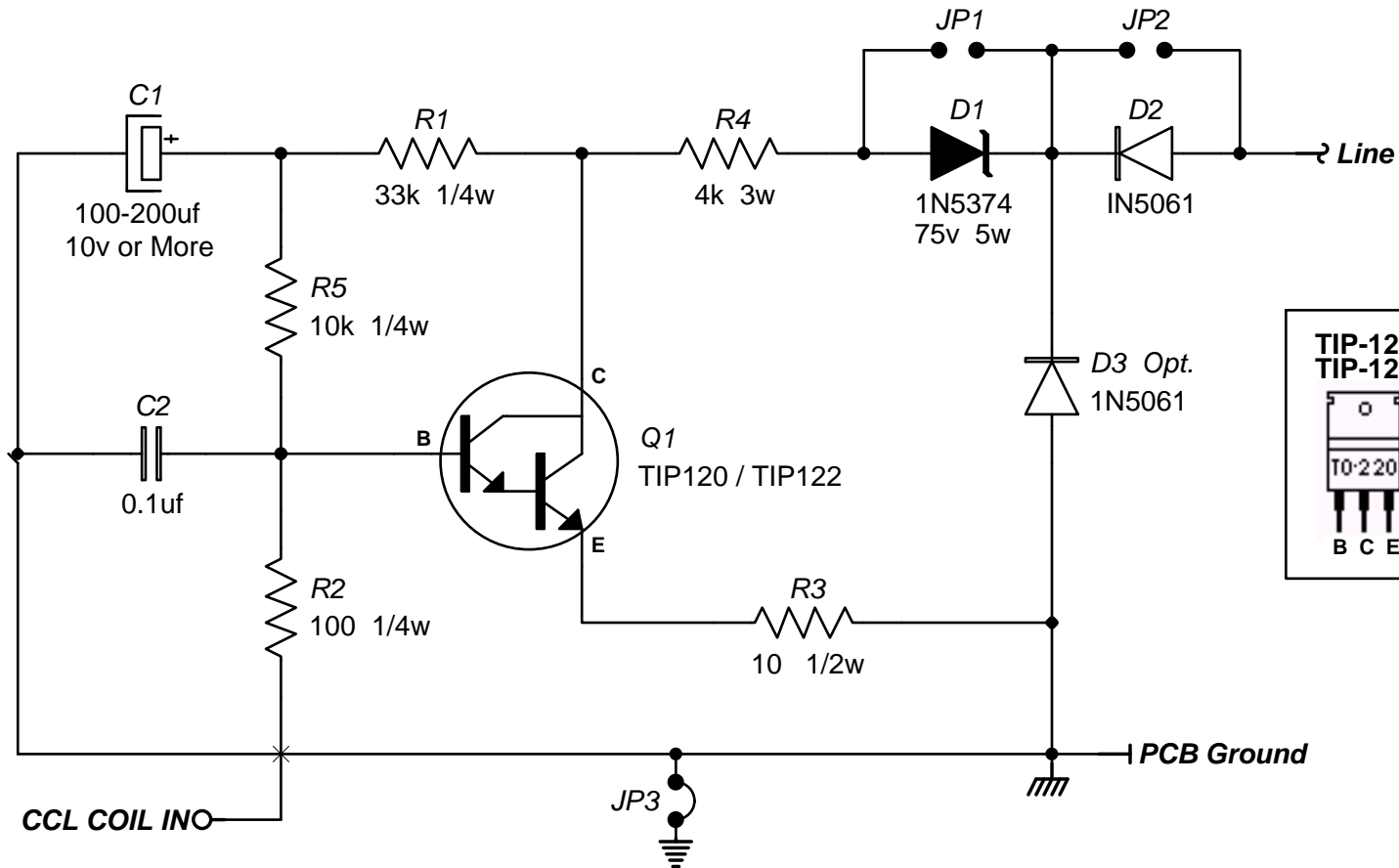


# 106 RADIATION TOOL TIP-120 STYLE DOWNHOLE CCL AMPLIFIER



Copyright 2007 by AnaLog Services, Inc. All rights reserved.  
Reproduction is unlawful without express written permission.

**NOTES:**  
 For 30-50 volt operation, omit D1 and install jumper.  
 Use the TIP-122 for a more "bullet proof" circuit.  
 Coil resistance is not critical; 1-5 kilohms works fine.  
 This circuit typically draws 5-8 milliamps at 120 volts.

<b>AnaLog Services, Inc.</b>	
1169 Haynesville Road - Reynolds Station, KY 42368 (270) 276-5671 Fax: (270) 276-5588	
106 CCL Amplifier	106CCL1.sch
Sheet Size: A	Creation Date: 07/30/2007
Revision: 1.0	Modify Date: 02/11/2010
Drawn By: Syd H. Levine	
Sheet 1 of 1	

www.logwell.com

PCB: 106CCL-1b